



ENCLOSURES™

MADE IN THE
★USA★
WITH PRIDE

2, 4, AND 6 PASSENGER ENCLOSURES

IMPORTANT: Do not install Snaps until instructed. Read through all instructions before beginning installation.

ENCLOSURE INSTALLATION INSTRUCTIONS

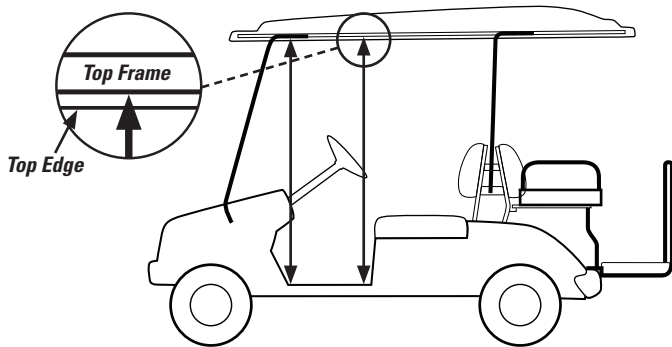
NOTE: Designed to work with DoubleTake Track Tops only. For optimal fit and performance on 4 & 6 Passenger cars, use with DoubleTake Rear Seat Kits.



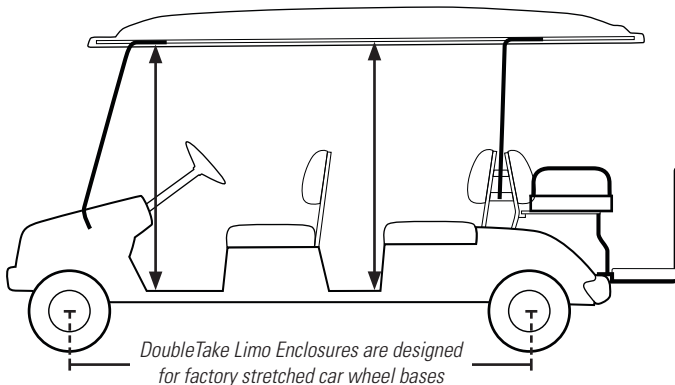
TABLE OF CONTENTS:

- Step 1** - Install Front Frame Angles
- Step 2** - 2 Passenger Enclosure
- Step 3** - 4 & 6 Passenger Enclosure
- Step 4** - Install Snaps on Car
- Step 5** - Install Valances
- Step 6** - Unique Features, Care and Maintenance

DOUBLETAKE TRACK TOP REQUIRED: VERIFY CORRECT POSITION * * ALL 2, 4, & 6 PASSENGER ENCLOSURES * *



Floorboard to Top Frame Measurements (2, 4, & 6 Passenger Track Tops)			
Precedent / Phantom	54½"	TXT	55½"
Club Car DS	54"	RXV	55½"
Drive / Vortex	55¼"		



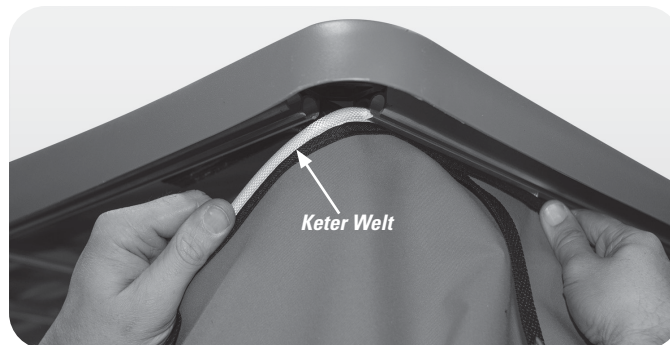
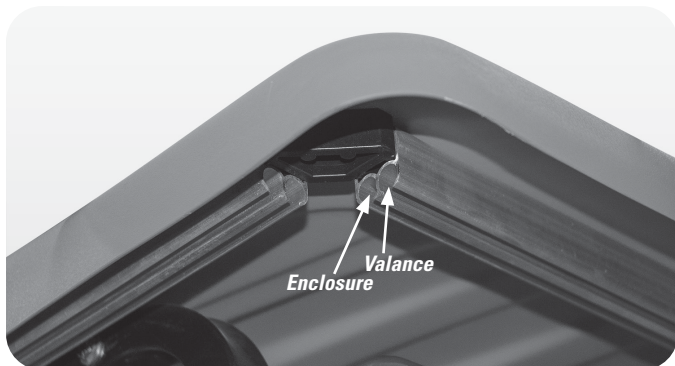
Factory Stretched Cars: Wheel Hub Centers			
Precedent / Phantom	92½"	TXT	99"
Club Car DS	*92½"	RXV	99"
Drive / Vortex	98"		*Non-Factory

ENCLOSURE INSTALLATION TIPS

Every DoubleTake Track Top Rail has two slotted channels. Inside Channel is for the Enclosure Body and the Outside Channel is for the Enclosure Valance.

The Keter Welt is located at the top of each Enclosure and Valance. It's installed by sliding it into a channel in the Enclosure Rail.

NOTE: For easier installation, bend Keter Welt down and away, while pulling.



INSTALLING FRONT FRAME ANGLES

STEP 1.1 FRONT FRAME ANGLE PLACEMENT

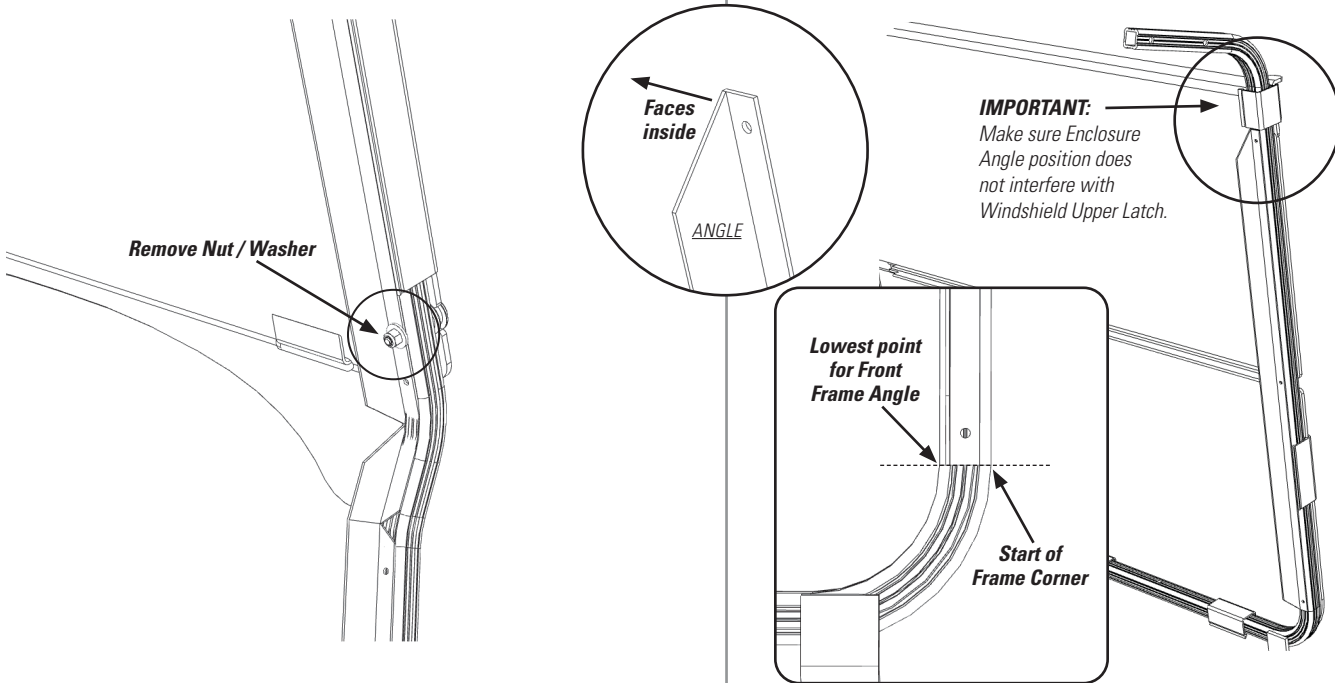
Club Car Precedent / EZGO TXT & RXV / Yamaha Drive

Remove Nut and Washer from Windshield Grommet. Place Front Frame Angle over Bolt and use as a guide to position the rest of the Front Frame Angle. Reinstall Nut and Washer (Repeat for other side).

Club Car DS / Yamaha G14-22

Position Front Frame Angle as close to the bottom of the Front Frame as possible while keeping the Angle completely on the face of the Front Frame (Repeat for other side).

NOTE: Do not let plastic protrude off the edges of the Front Frame.



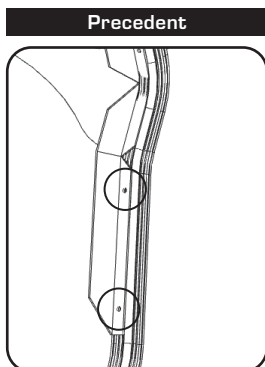
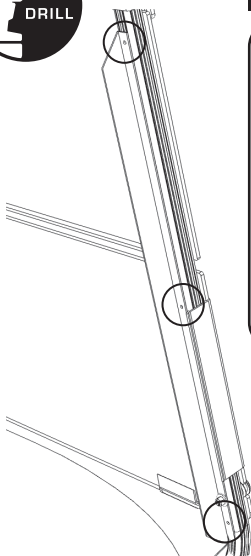
STEP 1.2 DRILL AND INSTALL FRONT FRAME ANGLE

Club Car Precedent / EZGO TXT & RXV / Yamaha Drive

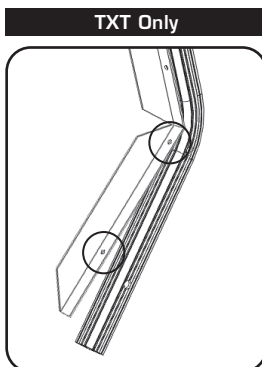
Align Front Frame Angle with the center of the Front Frame. Chase drill 3 holes in the Front Frame Angle with a 9/64" Drill Bit. Attach Angle using provide Rivets (Repeat for other side).

Club Car DS / Yamaha G14-22

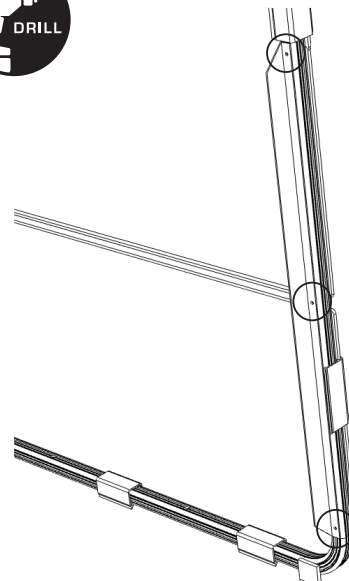
Align Front Frame Angle with the center of the Front Frame. Chase drill 3 holes in the Front Frame Angle with a 9/64" Drill Bit. Attach Angle using provide Rivets (Repeat for other side).



Bend Angle to conform to Frame. Drill holes and install Rivets.



If installing Snaps for Enclosure Front Frame Panel, chase drill holes in bottom angle leg, but do not install Rivets until after Snap is installed in Step 5.



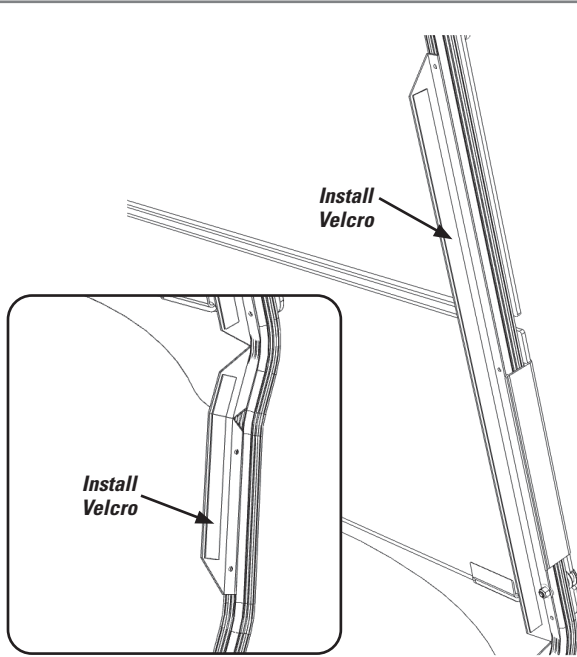


STEP 1.3 INSTALL THE VELCRO STRIP

Club Car Precedent / EZGO TXT & RXV / Yamaha Drive

Measure and trim the Velcro to fit the upper portion of the Front Frame Angle. Remove backing and apply Velcro to Angle. Measure and Trim remaining Velcro to fit the bottom portion of Front Frame Angle then apply to Angle (Repeat for other side).

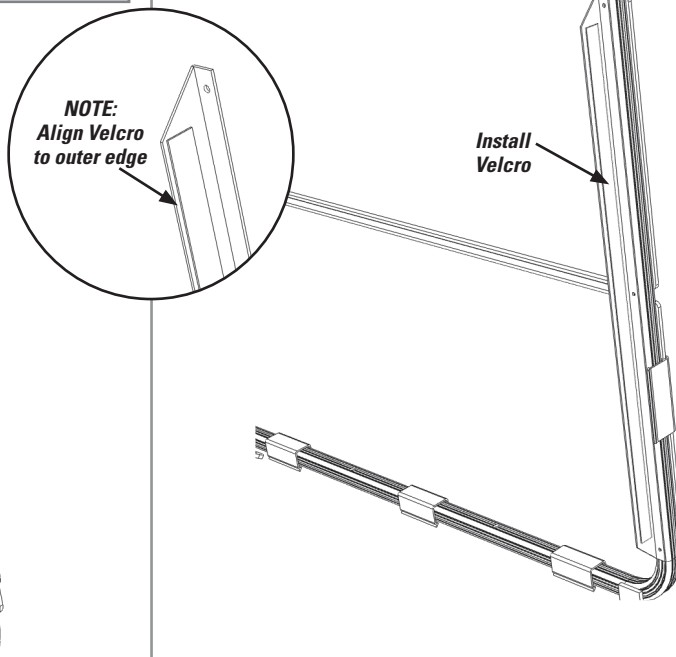
NOTE: Firmly press over entire Velcro strip to ensure it is securely installed.



Club Car DS / Yamaha G14-22

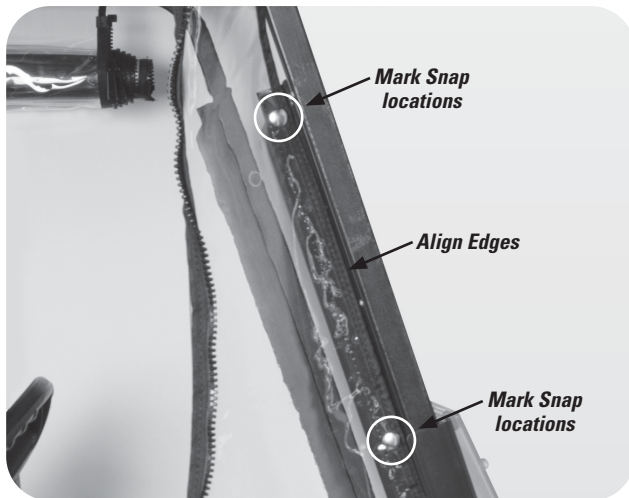
Measure and trim the Velcro to fit the Front Frame Angle. Remove backing and apply Velcro to Angle (Repeat for other side).

NOTE: Firmly press over entire Velcro strip to ensure it is securely installed.



STEP 1.4 MARK SNAP POSTIONS

Insert Enclosure Front Frame Panel into the inside track in Top Rail. Align Front Frame Panel to the angle and position for best fit. Mark the drilling locations for each Snap on the Front Frame Panel onto Velcro of Front Frame Angle. Remove Panel and drill Snap location holes through Velcro and Front Frame Angle with a 9/64" Drill Bit (Repeat for other side).



*Shown on Precedent / Phantom



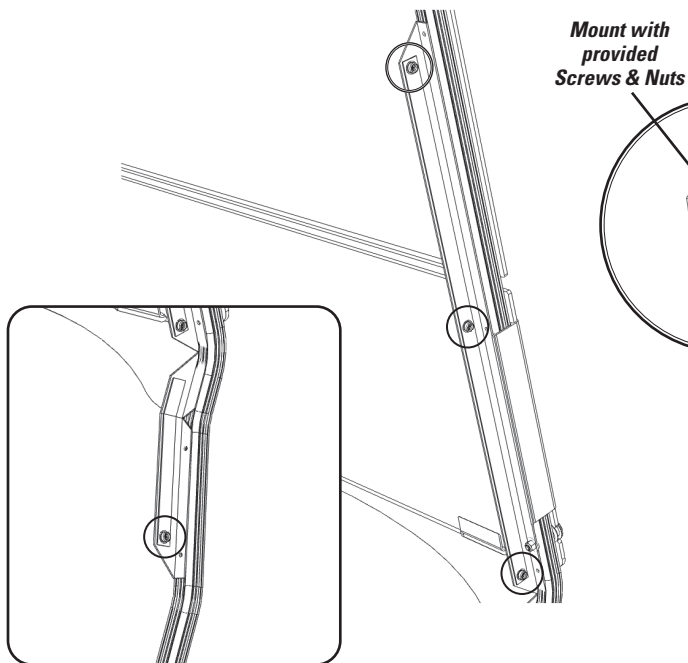
INSTALLING FRONT FRAME ANGLES

STEP 1.5 MOUNT SNAPS TO FRONT FRAME ANGLE

Club Car Precedent / EZGO TXT & RXV / Yamaha Drive

Install Snaps Posts onto Front Frame Angle using the small Screws and Nuts provide (Repeat for other side).

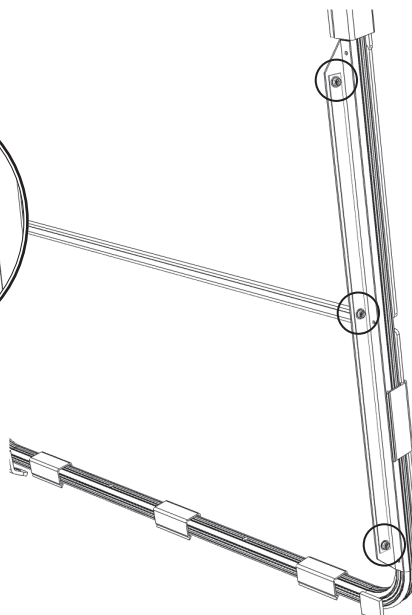
NOTE: Fully tighten all Hardware.



Club Car DS / Yamaha G14-22

Install Snaps Posts onto Front Frame Angle using the small Screws and Nuts provide (Repeat for other side).

NOTE: Fully tighten all Hardware.



2 PASSENGER ENCLOSURE

If installing 4 or 6 Passenger Enclosure, skip to Step 3.

STEP 2.1 INSTALL BAG COVER

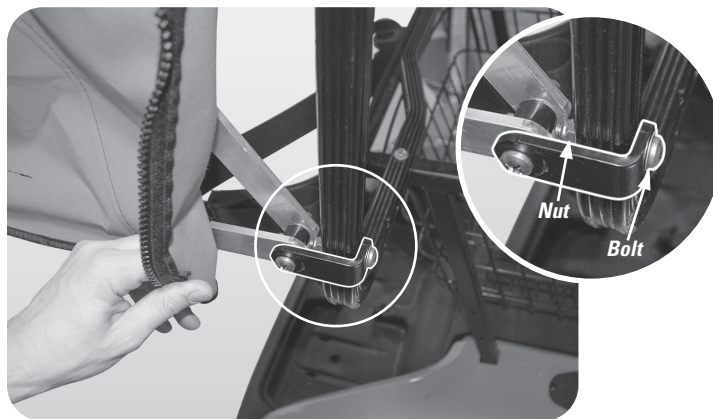
Insert Bag Cover, into the inside channel of the Enclosure Rail at Rear of Top.

NOTE: For easier installation, bend the Keter Welt slightly down and away while pushing.



Attach the Bag Cover Brackets to the Rear Frame using the provided hardware (Bolt Head on inside with Nut and Washer outside). (Repeat for other side).

NOTE: Make sure the Bracket is positioned on the inside of the Rear Frame. Fully tighten Hardware.



2 PASSENGER ENCLOSURE

STEP 2.2 INSTALL REAR PANEL

2 Passenger - Rear Panel

Install Rear Panel by zipping the Top Zipper to Bag Cover Zipper (A). Feed the Bag Holder Straps through the center flap in Rear Panel (B).



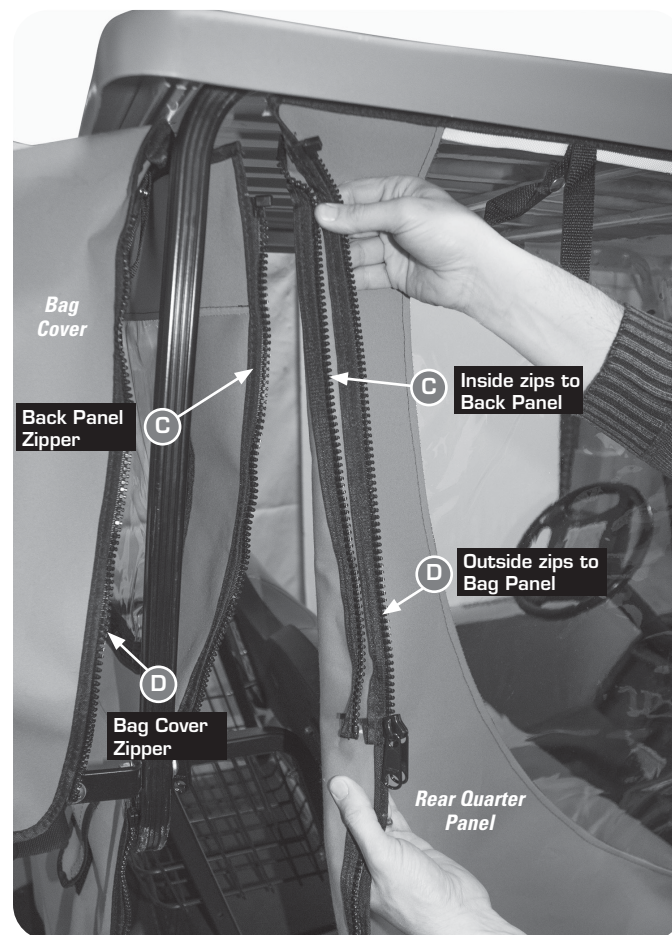
STEP 2.3 INSTALL THE SIDE ENCLOSURE PANELS

Fully insert Rear Quarter Panel, Door, and Front Frame Panel into Enclosure Rail. Zip all Panels together. (Repeat for opposite side).

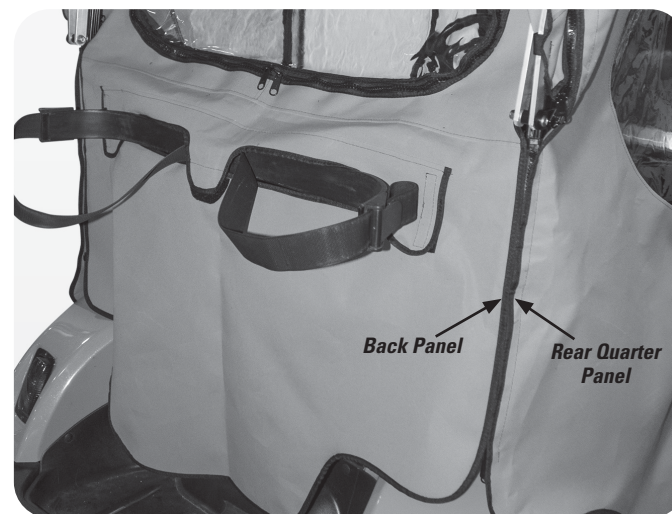


STEP 2.4 ZIP REAR PANEL TO SIDE PANEL

The top half of each Rear Quarter Panel has 2 zippers. Zip the Back Panel to the Upper Inside Zipper on the Rear Quarter Panel (C). Zip the Bag Cover to the Upper Outside Zipper on the Rear Quarter Panel (D).



Zip the Back Panel and Rear Quarter Panel together below the Bag Cover Bracket. (Repeat for opposite side).



PROCEED TO STEP 4



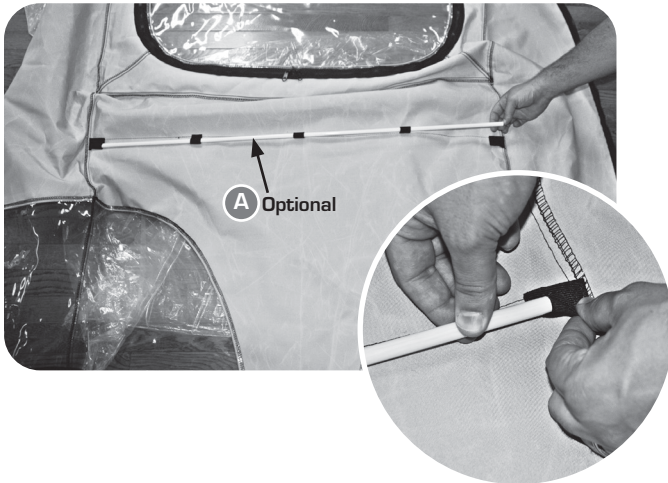
4 & 6 PASSENGER ENCLOSURE

If installing **2 Passenger Enclosure (step 2)**, skip to **Step 4**.

STEP 3.1 INSTALL REAR PANEL

4 & 6 Passenger - Rear Panel

Slide the Support Rod thru the Loops on the inside of the Rear Panel. Insert each end of the Support Rod into each Pocket. Make sure Support Rod is fully inserted and secure **(A)**. Install the Rear Panel into the inside channel of Enclosure Rail **(B)**.



STEP 3.2 INSTALL THE SIDE ENCLOSURE PANELS

Fully insert Rear Quarter Panel, Door, and Front Frame Panel into Enclosure Rail. Zip all Panels together. (Repeat for opposite side).



INSTALL SNAPS ON CAR (2, 4, & 6 PASSENGER)

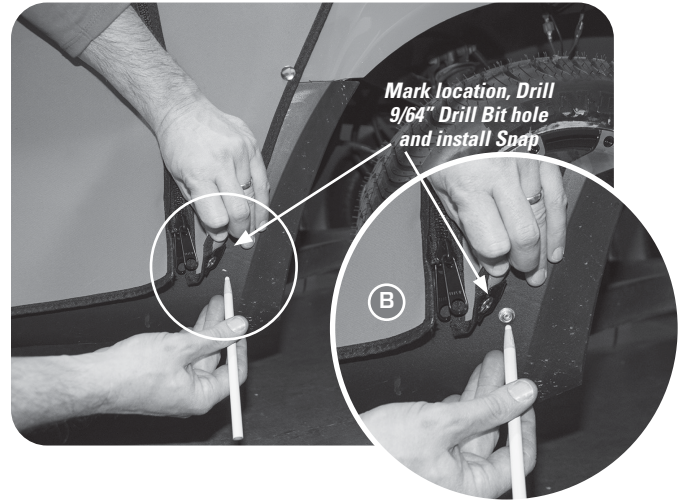
STEP 4.1 INSTALL SNAP POSTS TO GOLF CAR

Make sure Enclosure is fully zipped in all locations. Attach Front Frame Panel to Front Frame Angle using Velcro and Snaps (Installed in Section 1) **(A)**.

**Shown on Drive/Vortex*



Pull Enclosure tight and mark the next open Snap Location. Double check alignment, mark and drill 9/64" hole and install Snap **(B)**. Snap the Enclosure to newly installed Snap Post. Move to the next Snap location on Enclosure. Pull tight, mark, drill and install Snap. Continue marking and installing Snaps towards the Rear of the Car. Once all Snaps on one side have been installed, repeat procedure on other side, starting at the front of the car, moving towards Rear.



INSTALL VALANCES (2, 4, & 6 PASSENGER)

STEP 5.1 INSTALL FRONT AND SIDE VALANCE

Install both Side Valances into the Outside Channel of Enclosure Rail. Install Front Valance and fold ends around to the side. Align the Velcro Strips so that Front Valance fits fairly snug against Windshield.



STEP 5.2 INSTALL REAR VALANCE

Install the remaining short Valance into the Rear Enclosure Rail. Use Velcro Strip to attach the Rear Valance to each Side Valance.

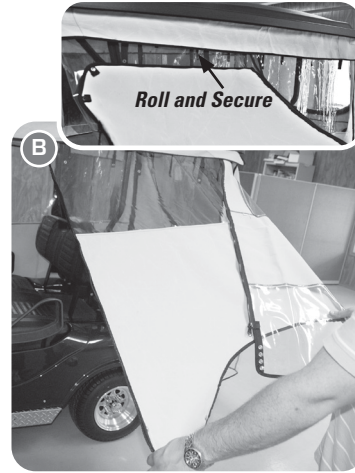
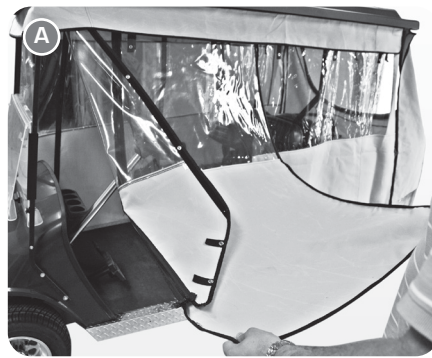




FOLDING AND STORAGE

FOLDING AND STORAGE

- A** - Unzip door and Rear Quarter Panel, Fold Front Frame Panel inwards. Fold Section in half, tightly roll up to Storage Straps and Secure.
- B** - Fold Rear Quarter Panel inwards. Fold Section in half, tightly roll up to Storage Straps and Secure.
- C** - Fold both Back Panel Edges inwards. Fold Section in half, tightly roll up to Storage Straps and Secure.



ENCLOSURE FEATURES

FULLY OPENING REAR WINDOW (2, 4, & 6 PASSENGER)



CONVENIENT DOUBLE-PULL ZIPPERS



HIDDEN STORAGE STRAPS



ENCLOSURE ANGLES PROVIDE A STREAMLINE FIT



SNAP-FREE VALANCES



SOLO BAG COVER

